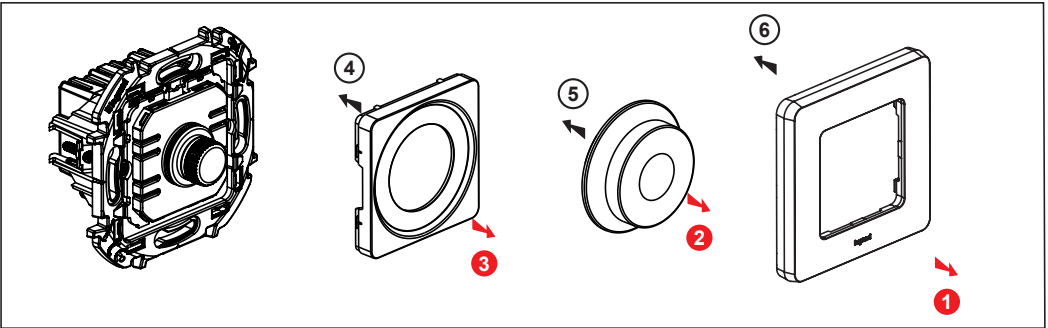


|  |                 |                |       |                            |  |
|--|-----------------|----------------|-------|----------------------------|--|
|  |                 |                |       | U                          |  |
|  | -10°C ... +70°C | -5°C ... +40°C | 40 mm | 110 / 230 В~<br>50 / 60 Гц |  |



|                      | R          |            | L          |            | C/L        |                     |  |
|----------------------|------------|------------|------------|------------|------------|---------------------|--|
|                      |            |            |            |            |            |                     |  |
|                      |            |            |            |            |            |                     |  |
|                      |            |            |            |            |            |                     |  |
| 200-240В~<br>50/60Гц | 5...300 Вт | 5...300 ВА | 5...300 ВА | 5...300 ВА | 5...300 ВА | 5...75 Вт<br>≤ 10 x |  |
| 100-200В~<br>50/60Гц | 5...150 Вт | 5...150 ВА | 5...150 ВА | 5...150 ВА | 5...150 ВА | 5...37 Вт<br>≤ 10 x |  |

